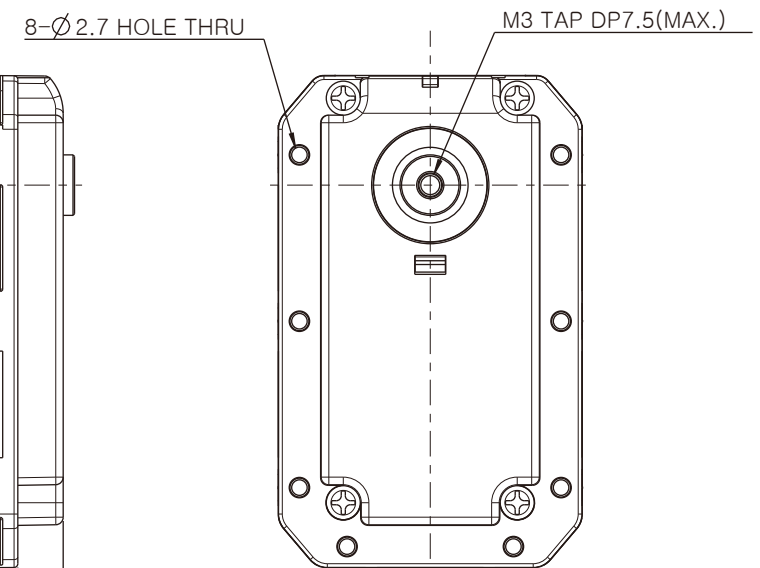
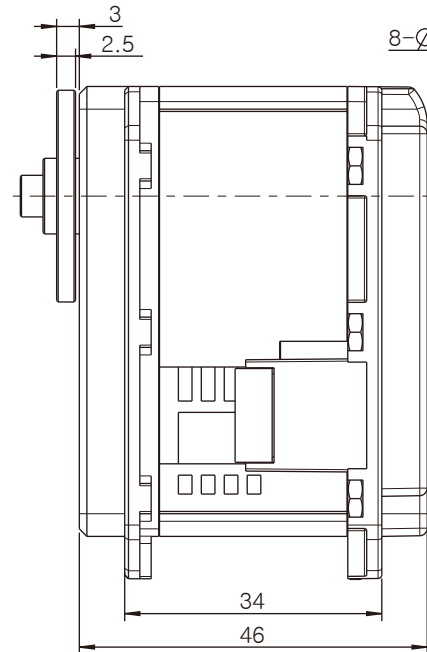
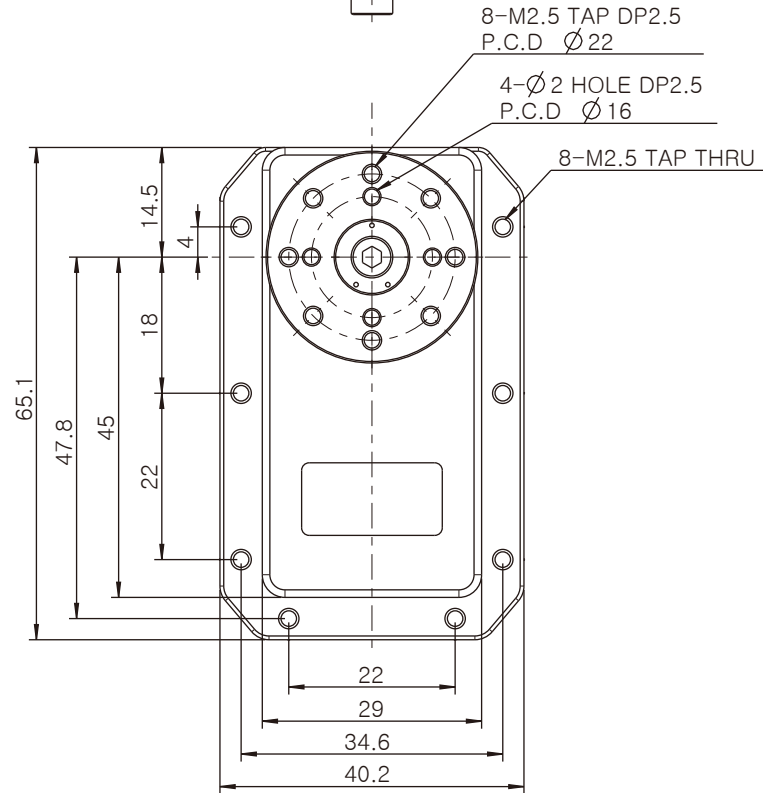
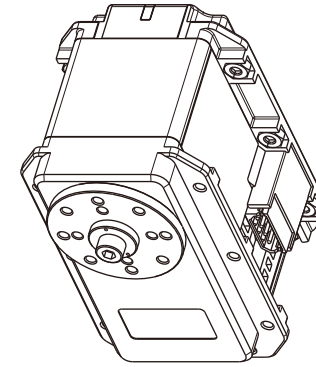
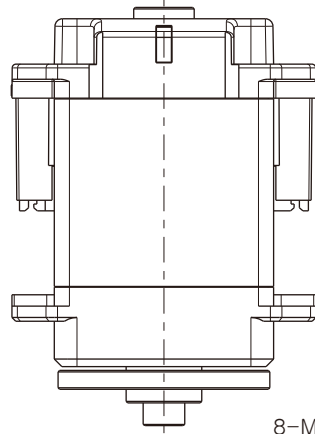


REV.	DESCRIPTION	CHK	DATE



UNLESS OTHERWISE SPECIFIED  
DIMENSIONS ARE mm  
GENERAL TOLERANCE

DECIMALS :

0-3 = ± 0.01	30-80 = ± 0.03
3-10 = ± 0.015	80-180 = ± 0.04
10-30 = ± 0.02	180-300 = ± 0.05
	300-500 = ± 0.06

ANGLES : ± 0.2

<b>ROBOTIS</b>		ROBOTIS Co.,Ltd.	MODEL	DC08_B	
APPROVAL	J.W.		PART_NAME	DC08_B	
CHECKED	L.J.H				QTY
MATERIAL	DRAWN	J.W.	11/09/2009	SIZE	DWG NO.
FINISH	THIS DOCUMENT AND THE INFORMATION IT CONTAINS SHALL NOT BE COPIED IN WHOLE WRITTEN CONSENT OF ROBOTIS CO., LTD			A4	PART NO.
				SCALE	1/1 SHEET 1 of 3